



Data sheet

EKS 1415.0 Pallet fixation

Our Pallet fixation EKS 1415.0

- Used for the sustainable and easily separable fixing of pallet boxes / packaging on a pallet
- is suitable for cardboard boxes with wall thicknesses up to 15 mm
- is fixed to the pallet with nails or staples
- facilitates a type-specific separation of packaging materials
- 100% recyclable



Technical specification:

Weight approx. 15.17 gr.

Raw material depending on the variant:

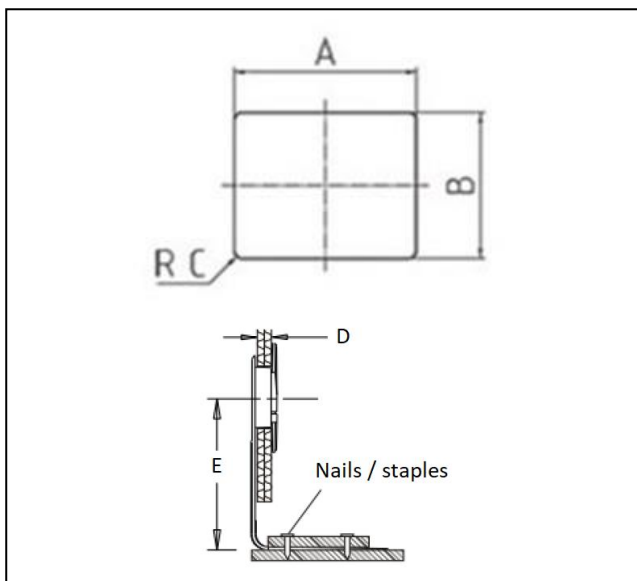
- 100% PP-Recycled material (PCR)
- 70% PP (standard material) / 30 % PP regranulate (PIR)

Packaging:

500 pcs. / 9.1 kg



Assembling data:



Assembling data
(punching)

A = 42 mm (+1mm)
B = 38 mm (+1mm)
RC = 2 mm (+1mm)

D = 15 mm (+1mm)
E = 90 mm (+1mm)



Did you already know that we can also manufacture our products from biological raw materials on request? We will be pleased to provide you with further information!

