

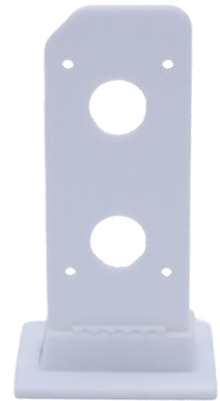


Data sheet

EKS 3005.0 POS-Vertical support element

Our POS-Vertical support element EKS 3005.0

- has a low height of only 25 mm
- serves as a vertical reinforcement element or connecting element for POS corrugated cardboard stands
- is attached to the side wall of the POS corrugated cardboard stand
- is mounted on two opposite sides.
- 100% mechanically recyclable



Technical specification:

Weight approx. xx.x gr.

Raw material:

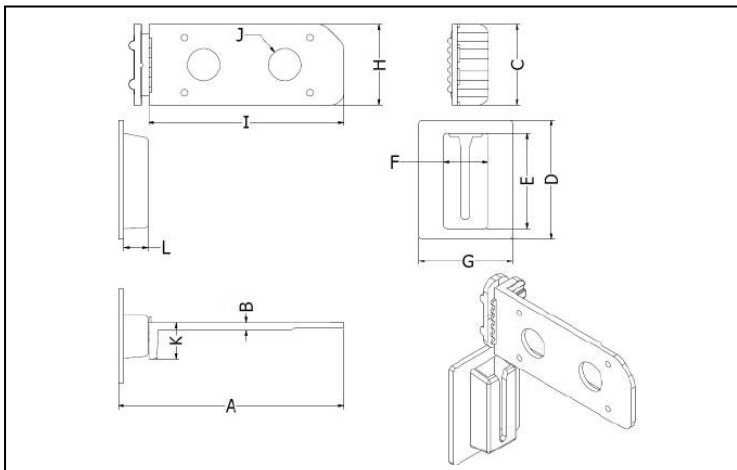
- 100% PP

Packaging:

xxx pcs. / xx.x kg



Article data:



Product dimensions

- A: 70.0 mm (+-1mm)
- B: 2.3 mm (+-1mm)
- C: 25.0 mm (+-1mm)
- D: 37.0 mm (+-1mm)
- E: 29.5 mm (+-1mm)
- F: 13.5 mm (+-1mm)
- G: 29.0 mm (+-1mm)
- H: 25.0 mm (+-1mm)
- I: 61.0 mm (+-1mm)
- J: 10.0 mm (+-1mm)
- K: 11.0 mm (+-1mm)



Did you already know that we can also manufacture our products from biological raw materials on request? We will be pleased to provide you with further information!

