

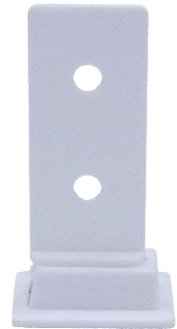


Data sheet

EKS 3004.0 POS-Vertical support element

Our POS-Vertical support element EKS 3004.0

- has a low height of only 25 mm
- serves as a vertical reinforcement element or connecting element for POS corrugated cardboard stands
- is attached to the side wall of the POS corrugated cardboard stand
- is mounted on two opposite sides.
- 100% mechanically recyclable



Technical specification:

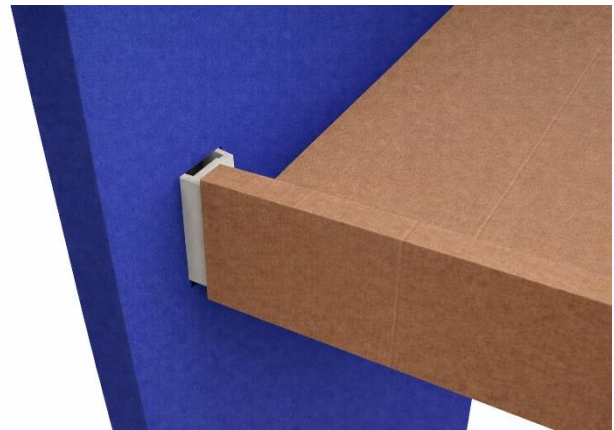
Weight approx. xx.x gr.

Raw material:

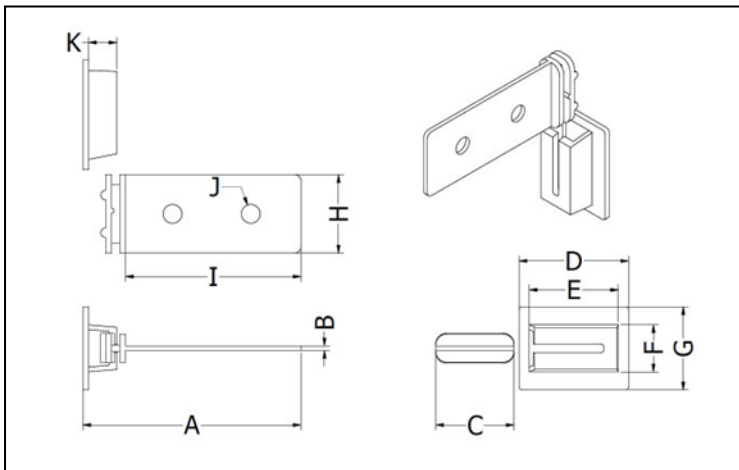
- 100% PP

Packaging:

xxx pcs. / xx.x kg



Article data:



Product dimensions

A:	69.5 mm (+1mm)
B:	1.5 mm (+1mm)
C:	25.0 mm (+1mm)
D:	35.0 mm (+1mm)
E:	28.0 mm (+1mm)
F:	15.0 mm (+1mm)
G:	26.5 mm (+1mm)
H:	25.0 mm (+1mm)
I:	56.0 mm (+1mm)
J:	6.0 mm (+1mm)



Did you already know that we can also manufacture our products from biological raw materials on request? We will be pleased to provide you with further information!

