



## Data sheet

# EKS 514.8 Square timber fixation

Our Square timber fixation EKS 514.8

- impresses in opposite to previous available solutions through the simpleness in its constructive design and application/mounting
- is available for squared timber of various dimensions on request
- is made from 100% recycled material (PCR) as standard
- is manufactured in black as a standard



### Technical specification:

Weight approx. 28.5 gr.

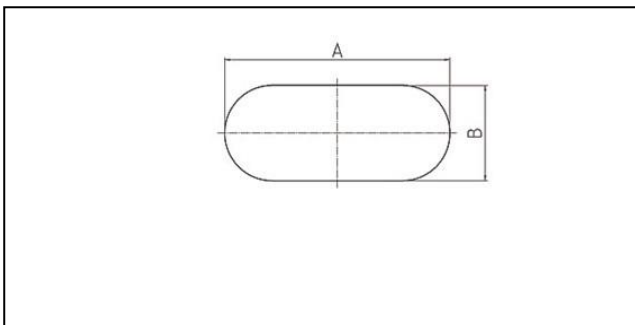
Raw material:

- 100% PP- Recycled material (PCR)

### Packaging:

400 pcs. / 12.9 kg

### Assembling data:



Assembling data  
(punching)

A = 150 mm (+-1mm)  
B = 45 mm (+-1mm)



Did you already know that we can also manufacture our products from biological raw materials on request? We will be pleased to provide you with further information!

