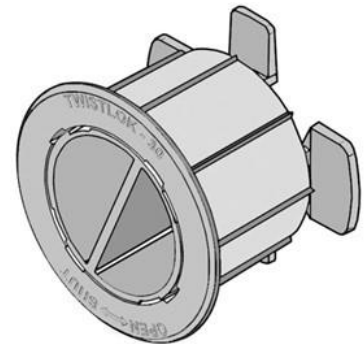




Data sheet EKS 2815.0 Turnlock

Our Turnlock EKS 2815.0

- serves as a detachable connection of several layers of corrugated board
- is suitable for cardboard boxes with wall thicknesses up to 15 mm
- is mounted by clockwise rotation until lock into place or anticlockwise rotation for detachment
- is reusable
- can be mounted on packages already closed
- wears out only slightly on the outside and inside
- can be mounted quickly
- is also available in versions for clamping heights up to 20 mm and 30 mm
- 100% recyclable



Technical specification:

Weight approx. 9.40 gr.

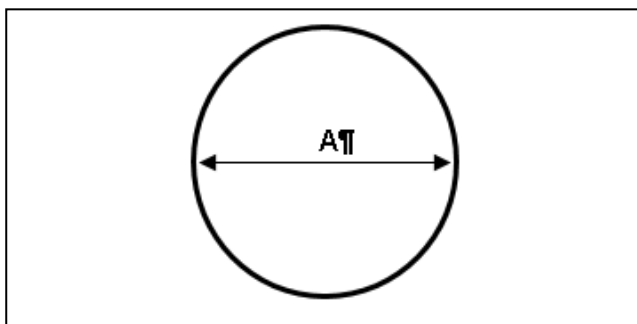
Raw material:

- 100% PP (standard material)

Packaging:

1,000 pcs. / 11.2 kg

Assembling data:



Assembling data
(punching)

A = 35 mm (+-1mm)



Did you already know that we can also manufacture our products from biological raw materials on request? We will be pleased to provide you with further information!

