

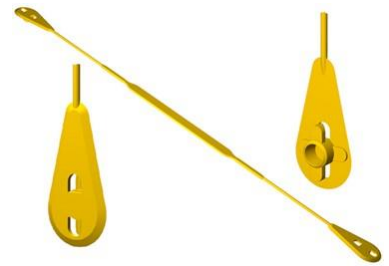


## Data sheet

# EKS 170.0 Carrying handle

Our Carrying handle EKS 170.0

- in comparison to most other carrying handles it stands out by its special length
- due to its length it is an alternative to the handles EKS 281.0, EKS 601.0 and EKS 974.0
- can be used on packages of cardboard or thin corrugated cardboard up to 2 mm thickness
- is laterally mounted by bayonet fixing
- can be loaded up to 6 kg
- is part of our E-K-S Bioline®
- 100% recyclable



### Technical specification:

Weight approx. 8,10 gr.

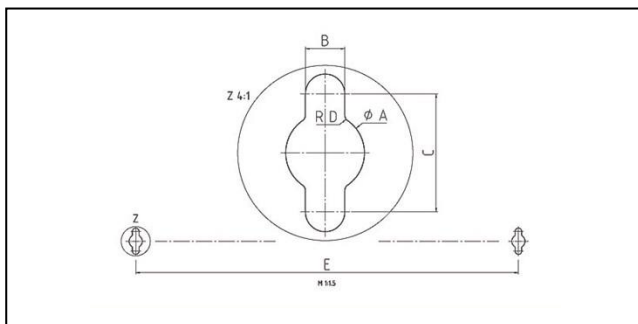
Raw material depending on the variant:

- 70% LDPE (standard material) / 30 % LDPE regranulate (PIR)
- 100% E-K-S Bioline® sugar cane

### Packaging:

500 pcs. / 4.7 kg  
2,000 pcs. / 17.2 kg

### Assembling data:



Assembling data  
(punching)

A = 12 mm (+-1mm)  
B = 6 mm (+-1mm)  
C = 18 mm (+-1mm)  
D = 1 mm (+-1mm)  
E = 350 mm (+-1mm)



Did you already know that we can also manufacture our products from biological raw materials on request? We will be pleased to provide you with further information!

